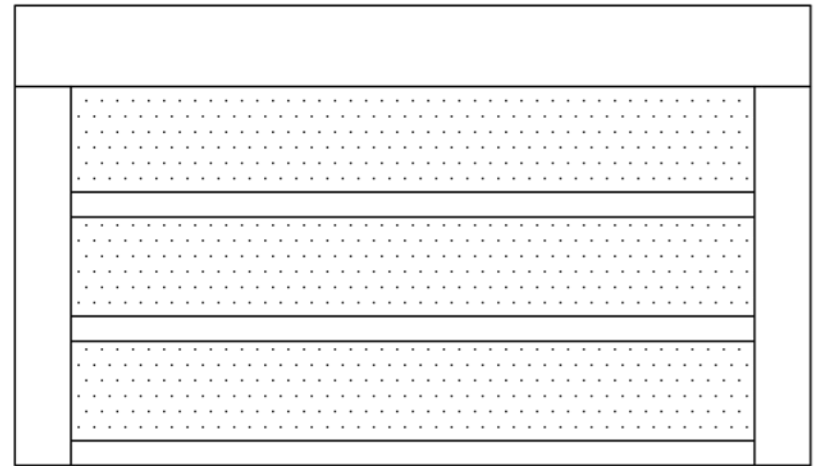
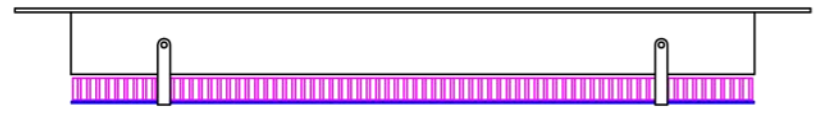


**Gunter Manufacturing**  **The Vent That Protects**

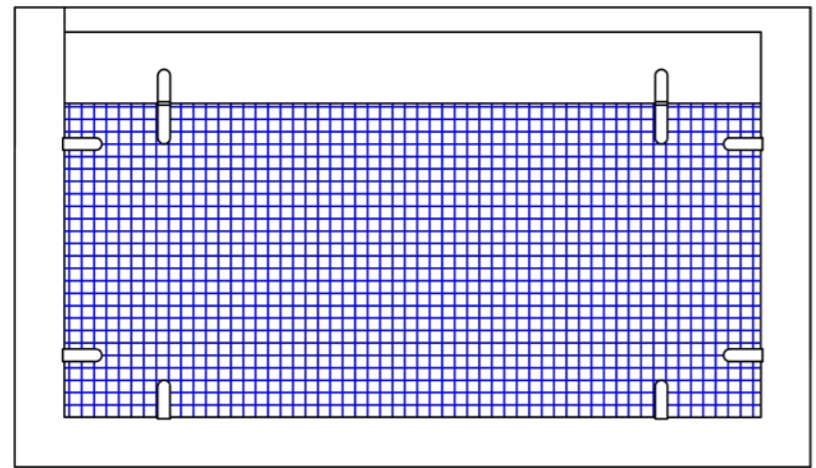
916-652-7424 / Fax 916-647-0477  
 3495 Swetzer Rd Loomis, Ca. 95650



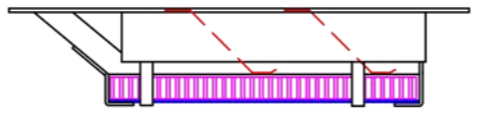
Front Elevation



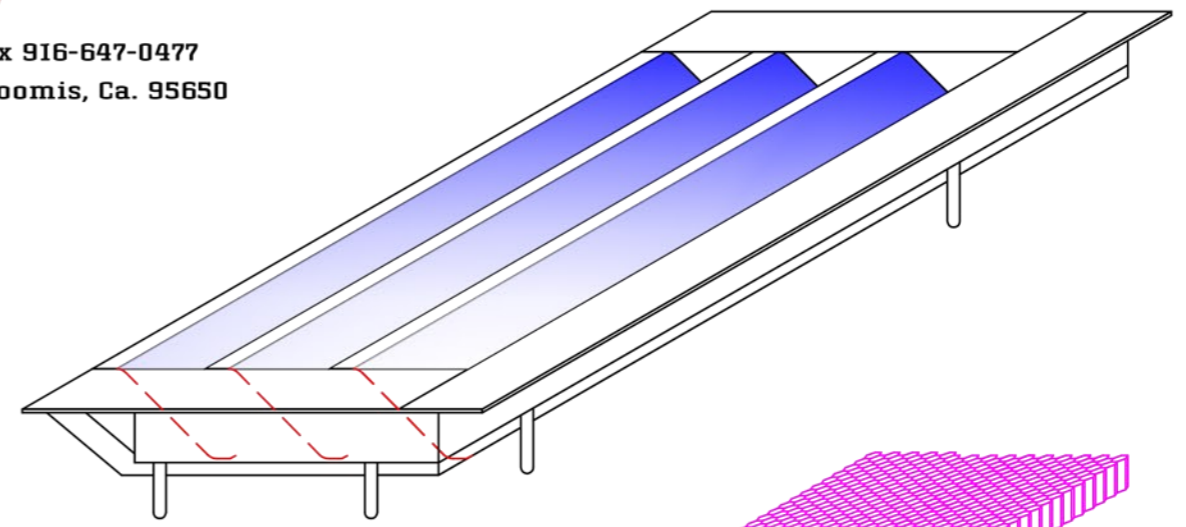
Side Elevation



Rear Elevation

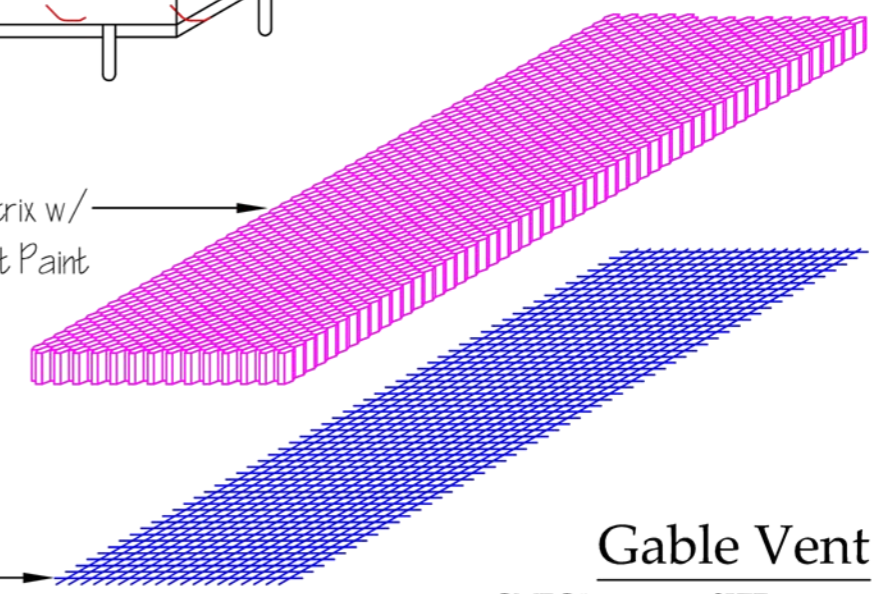


End Elevation



Honeycomb Matrix w/  
Intumescent Paint

Galvanized Mesh



**Gable Vent**

| GMFG#    | SIZE      | PART  |
|----------|-----------|-------|
| VG148FF  | 14" x 8"  | Gable |
| VG1412FF | 14" x 12" | Gable |
| VG1418FF | 14" x 18" | Gable |
| VG1424FF | 14" x 24" | Gable |

Woodsiding Gable Vent